

THERE ARE TWO TYPES OF CONVERSIONS:

1. On the "DeLuxe" conversion, slight cabinet modifications will have to be made to accommodate RCA mask #79587.

The entire 19 inch picture tube assembly is removed.

The old mask is removed, and the new mask fastened to the inside of the modified cabinet.

Check carefully for clearances of magnet assemblies hangers, and rods. It's a tight fit, but can be done.

One of the purity magnets (the one on the cabinet side) may have to be removed for final clearance and tube centering. In one case we removed the adjustment knob of the magnet, drilled a suitably sized hole in the side of the cabinet and adjusted it from the outside. If this is unsightly, remove the magnet from the ring completely. Fasten an electricians cartridge fuse clip to the inside of the cabinet where the magnet should be. Clip an alnico magnet into the clip. This will take the place of the removed magnet. Rotating the clip will adjust the purity in that area satisfactorily.

If any mounting difficulties occur, RCA Service Notes for Model 21-CT-661U, 21-CT-662U will show the mechanics of the tube assembly.

If the "DeLuxe" conversion is made with the rest of the set in proper operating condition, you will be agreeably surprised at the excellent results obtained.

Make modifications to Power chassis as shown in drawing number one. These changes will reduce the focus voltage and power drain of regulator tube on high voltage circuit.

The horizontal linearity coil has to be changed to C.B.S. part No. 16001321 or equivalent.

2. On the inexpensive conversion, an RCA polystyrene shield for the picture tube, part No. 100,003 was used. It has to be cut up at the face plate end, and the removed portion used again reversed in such a way that it covers the metal lip and still allows the original boot to be put back, so a well insulated support is available for the original field neutralizing coil. The ~~three~~ resistors which complete the inexpensive change are underlines in the schematic No. 2. The picture will adequately fill the original 19 inch mask of the set.

Parts needed for "DeLuxe" conversion of CBS 205 Color set to 21 inch RCA color tube:

1 RCA 21AXP22A Picture tube

1 RCA part No. 100701 lead

2 RCA part No. 100706 fasteners

1 RCA part No. 100713 holder

1 RCA part No. 100708 magnet assembly

1 RCA part No. 79587 mask

3 RCA part No. 76177 nuts

1 RCA part No. 100716 ring

1 RCA part No. 100704 rod

2 RCA part No. 100703 rod

1 RCA part No. 100702 lining

1 RCA part No. 100700 shield

1 RCA part No. 102185 tube socket

1 CBS Columbia Part No. 16,001,321 Horizontal isolation inductor or equivalent

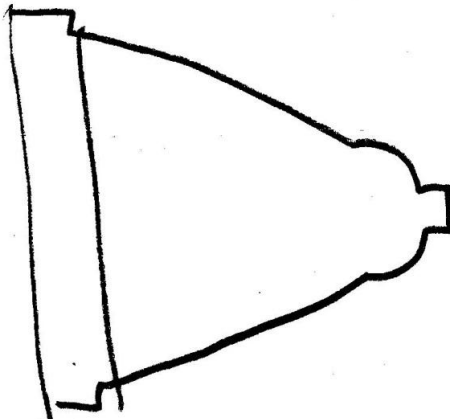
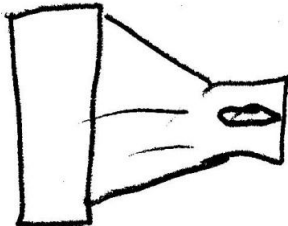
1 Resistor Products Corporation 1.5 meg. 3 watt B.B.R. resistor

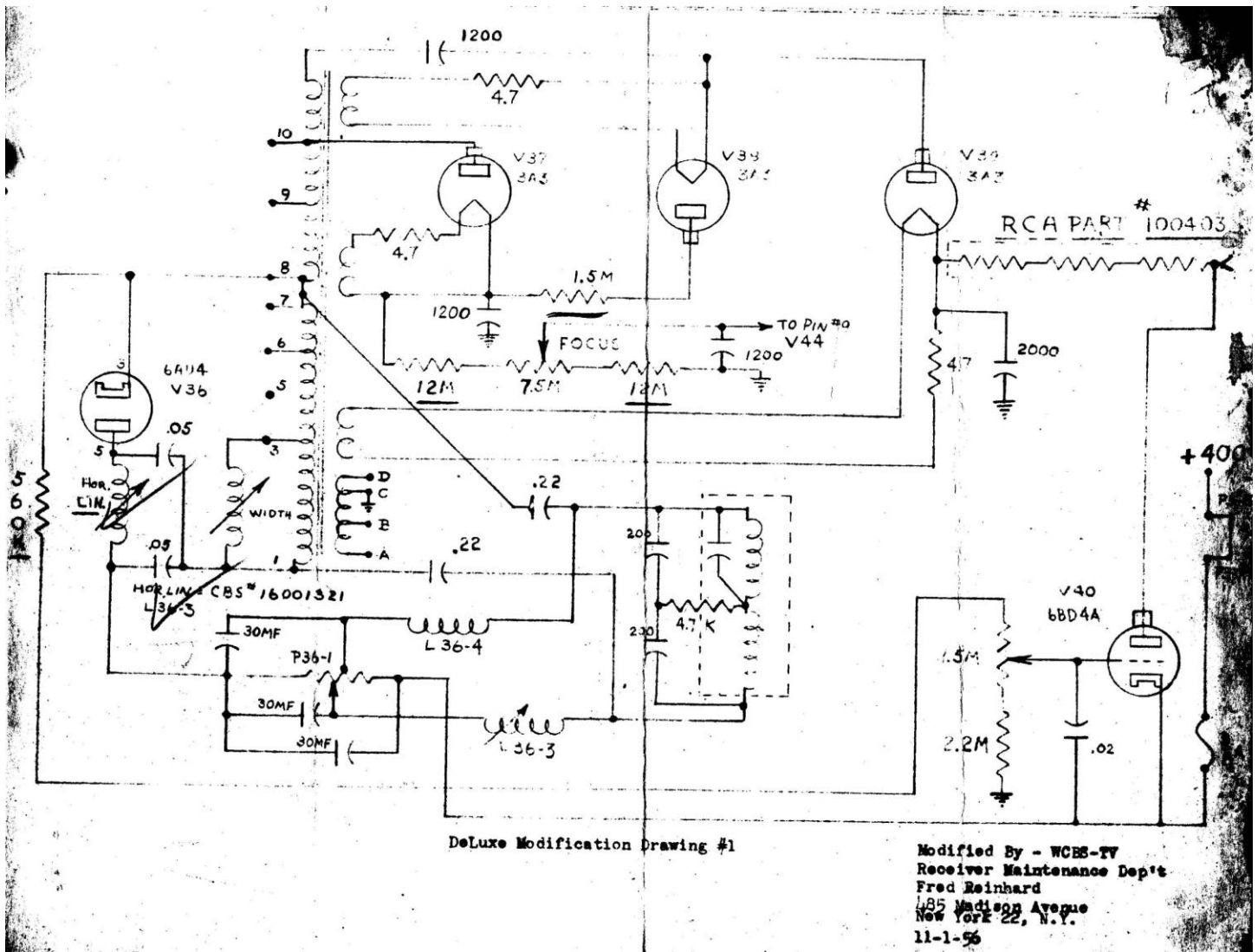
2 Resistor Products Corporation 12 meg. 3 watt BBR resistors

1-560K 1 watt resistor

1-RCA No. 100403 High voltage connector and lead complete with nylon cap.

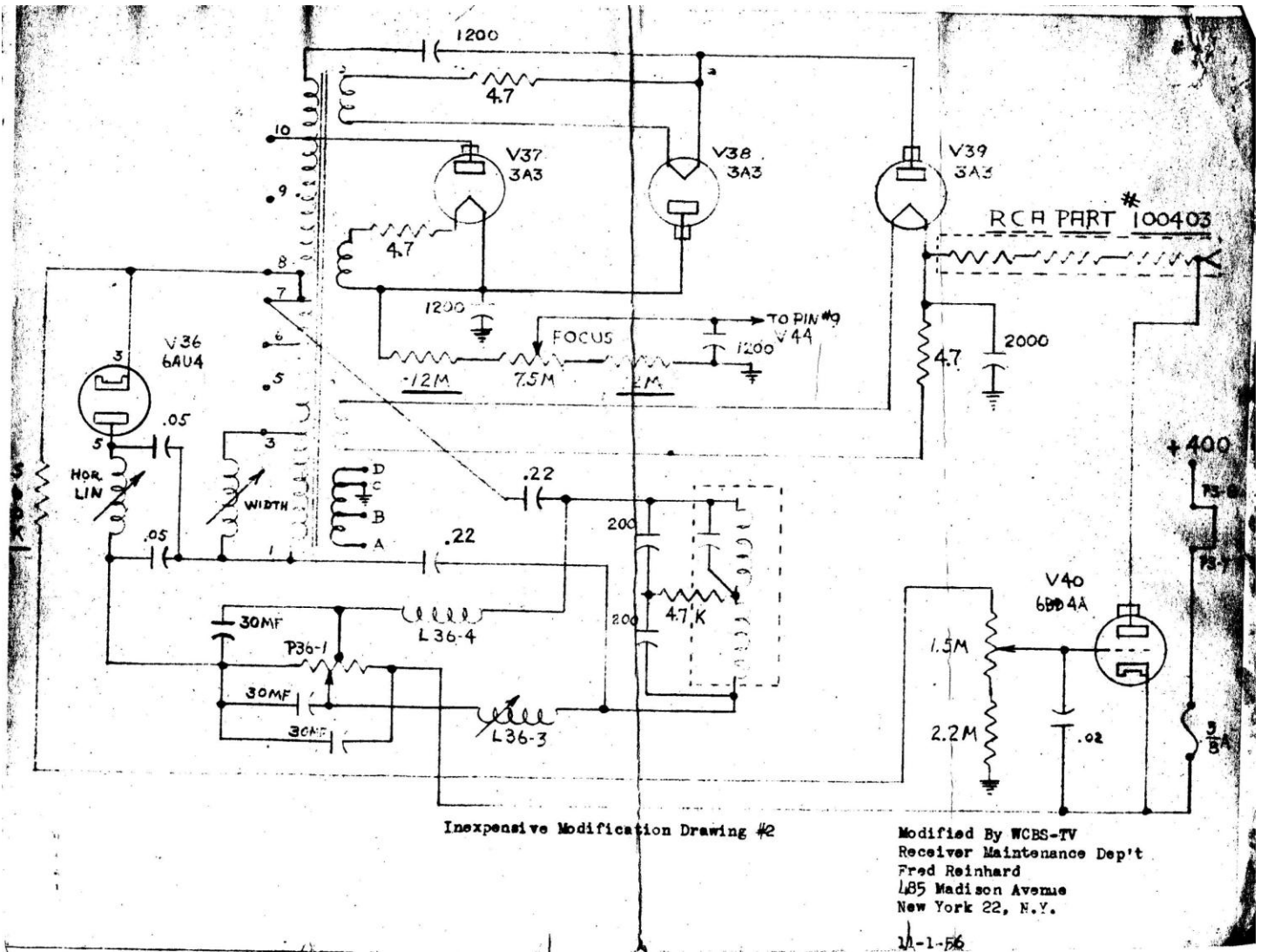
1-RCA No. 79604 Purity magnet ring assembly, if necessary to replace electro dynamic purity assembly.





DeLuxe Modification Drawing #1

Modified By - WCBS-TV
 Receiver Maintenance Dep't
 Fred Reinhard
 485 Madison Avenue
 New York 22, N.Y.
 11-1-56



Courtesy of John Folsom