

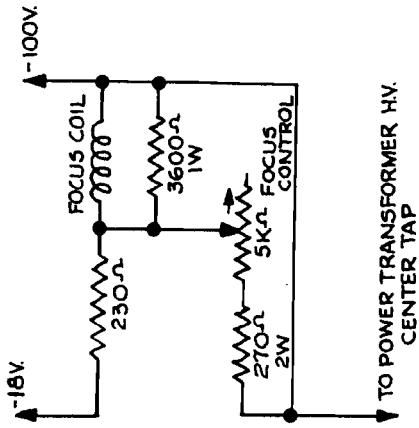
MODEL 630-HV

TV MODEL 630 HV

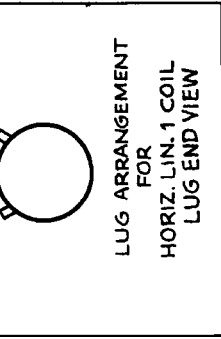
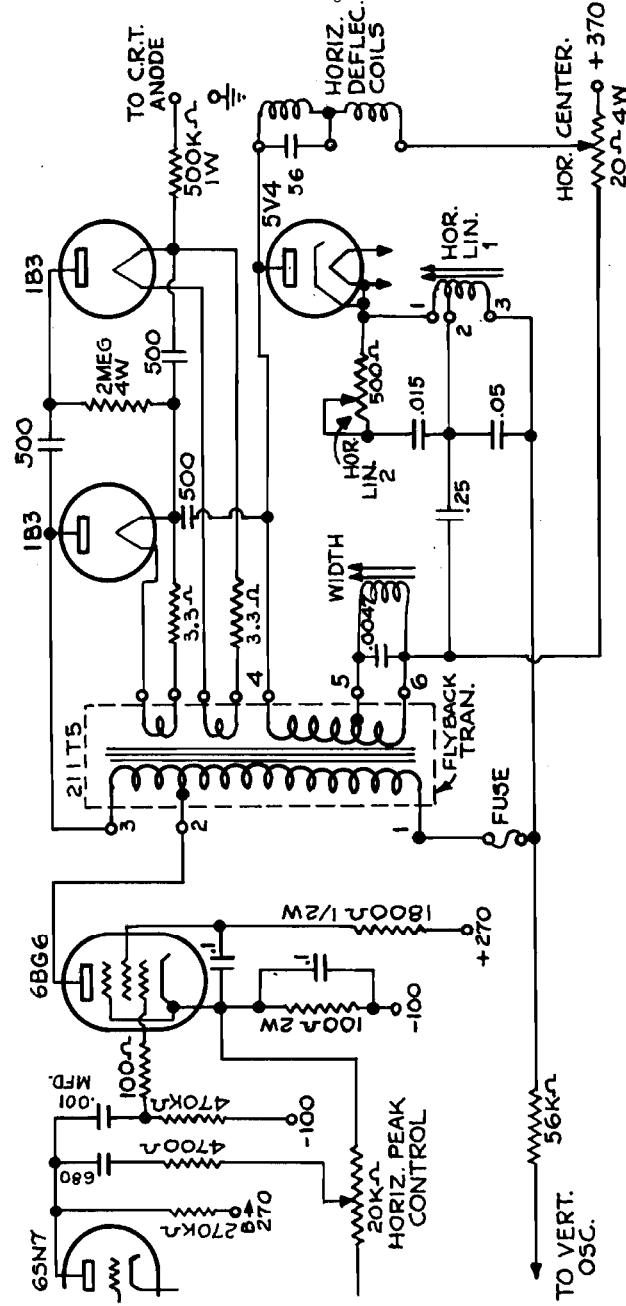
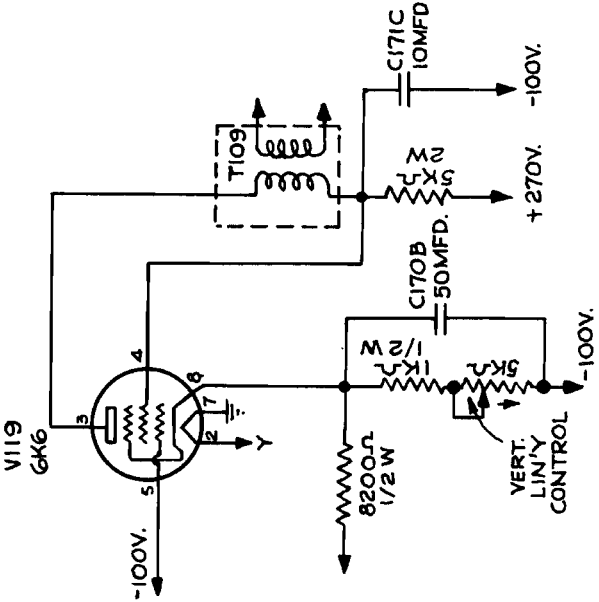
MODIFICATIONS ON 630 FOR IMPROVED FOCUSING, AND INCREASED IN VERTICAL OUTPUT CIRCUIT.

DWG. No L-506

FOCUSING NETWORK



VERTICAL OUTPUT CIRCUIT



- CHANGE "A"
- ① .05 SCREEN BY-PAIS COND. CHANGED TO .1 MFD.
 - ② .0047 MFD CONDENSER ACROSS THE WIDTH COIL.
 - ③ REPLACE BOTH SCREEN RES. WITH ONE 1200Ω 1/2 W. RES.
- DWG. No L-505A

TV MODEL 630-HV
 CIRCUIT DIAGRAM OF HIGH VOLTAGE SECTION - 630-HV
 NOTE: -REMAINDER OF SYSTEM SAME AS MODEL 630