

ALLEN B. DUMONT LABORATORIES, INC. MODEL RA-106,  
Club 20

Power Supply (89001001)  
PARTS LIST (Issued 12/14/48)

Abbreviations used:  
Res Resistor  
Cap Capacitor  
V Variable

F Fixed  
C Composition  
W Wire Wound  
Pa Paper

Ce Ceramic  
M Mica  
E Electrolytic  
Elec Electronic

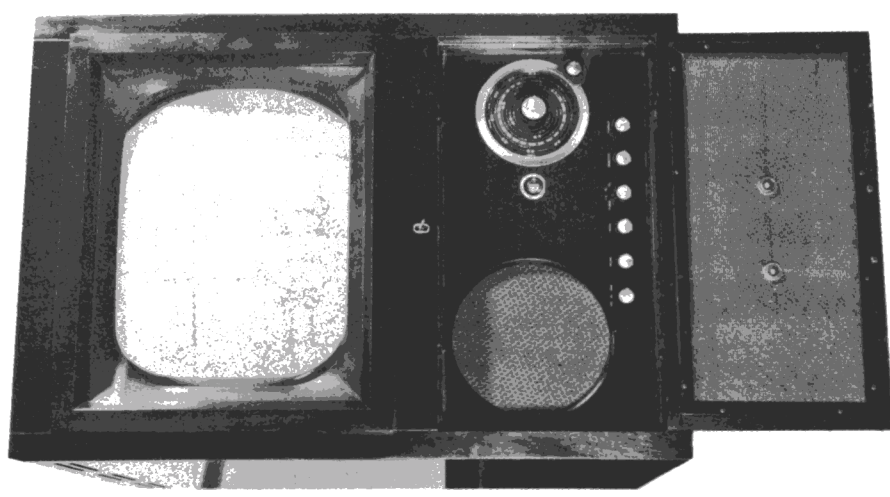
Unless otherwise stated, the tolerance shown is plus and minus of the indicated value. Where two or more part numbers are shown, the second and third numbers, if any, are alternate parts.

Symbol No.	Part No.	Description	Symbol No.	Part No.	Description
C701	08020180	Cap M 880 mmfd 10% 500V	R710	Same as R708	Res V C 50 K 20% 1/2 W
C702	08001450	Cap Pa .01 mfd 25% 400V	R711	01009600	Res F C 100 K 10% 1 W
C703	08012560	Cap Pa .01 mfd 25% 600V	E-712	02025010	Res F W 2 meg 20% 5 W
C704	08029040	Cap M .001 mmfd 10% 500V	R714	02019500	Res F C 680 10% 2 W
C705	08000040	Cap E 25 mfd 50V	R715	02087750	Res F C 100 K 10% 2 W
C706	08015370	Cap Pa .05 mfd 25% 600V	R716	02088010	Res F W 100 10% 1/2 W
C707	08014410	Cap Ce 500 mmfd 10KV	R717	02101180	Res F C 1 meg 10% 1/2 W
C708	Same as C707		02042180	02042180	Res V C 250 K 20% 2 W
C709	Same as C707		01007680	02037580	Res F C 8.3 K 10% 2 W
C710	08016180	Cap E 80 mfd 200V	02047880	02047880	Res F W 250 5% 5 W
C711	08011880	Cap Pa .1 mfd 25% 600V	02107480	02107480	Res F C 6.8 K 10% 1 W
C712	08088090	Cap M .01 mfd 800V	02044870	02044870	Res F C 10 10% 1/2 W
C713	08020160	Cap M 250 mmfd 500V	02081380	02081380	Res F C 10 K 10% 1/2 W
C714	08014060	Cap .085 mfd 1000V	02041880	02041880	Res F C 10 K 10% 1/2 W
C715	Same as C710		Same as R714		
F701	08014070	Cap Pa .05 mfd 10% 1000V	Same as R754		
L701	11000900	Fuse Cart 4 amp 250V	02080200	02080200	Res F C 120 K 10% 2 W
L702	21004841	Inductor Hor wire 20 MH	20004001	20004001	Trans AF hor Output
R701	02081870	Inductor V 5.5 to 20 MH	20004071	20004071	Tube Elec 12AU7
R702	02041870	Res F C 6.8 K 10% 1/2 W	250000180	250000180	Tube Elec 6BG6 G
R703	02082050	Res F C 220 K 10% 1/2 W	25000150	25000150	Tube Elec 1B8 GT/8016
R704	02042050	Res F C 470 K 10% 1/2 W	Same as V703		
R705	02082090	Res F C 470 10% 1/2 W	25000290	25000290	Tube Elec 6AS7 G
R706	02081730	Res F C 1 meg 10% 1/2 W	25000160	25000160	Tube Elec 5V4 G
R707	02087810	Res F C 47 10% 2 W	25000170	25000170	Tube Elec 6X4
R708	02087950	Res F C 88 K 10% 2 W	Same as V707		
R709	02087940	Res F C 27 K 10% 2 W	Same as V708		
R710	02100810	Res F W 4.7 10% 1/2 W			

RESISTANCE MEASUREMENTS - ALL READINGS TO GROUND

Symbol No.	1	2	3	4	5	6	7	8	9
V701	meg 1000	400K	880K	0	5.6		meg 5		.1
V702		0	860K	7.5K	11	19K	.1	30K	meg 1000 Cap. Pl.
V703									Cap.
V704									Cap. Pl.
V705	meg 1	15K	meg 1	15K	15K	15K	15K	15K	
V706				15K					
V707	meg 3.4	meg 3.4	.5	0					
V708	meg 3.4		.1	0			4.6		

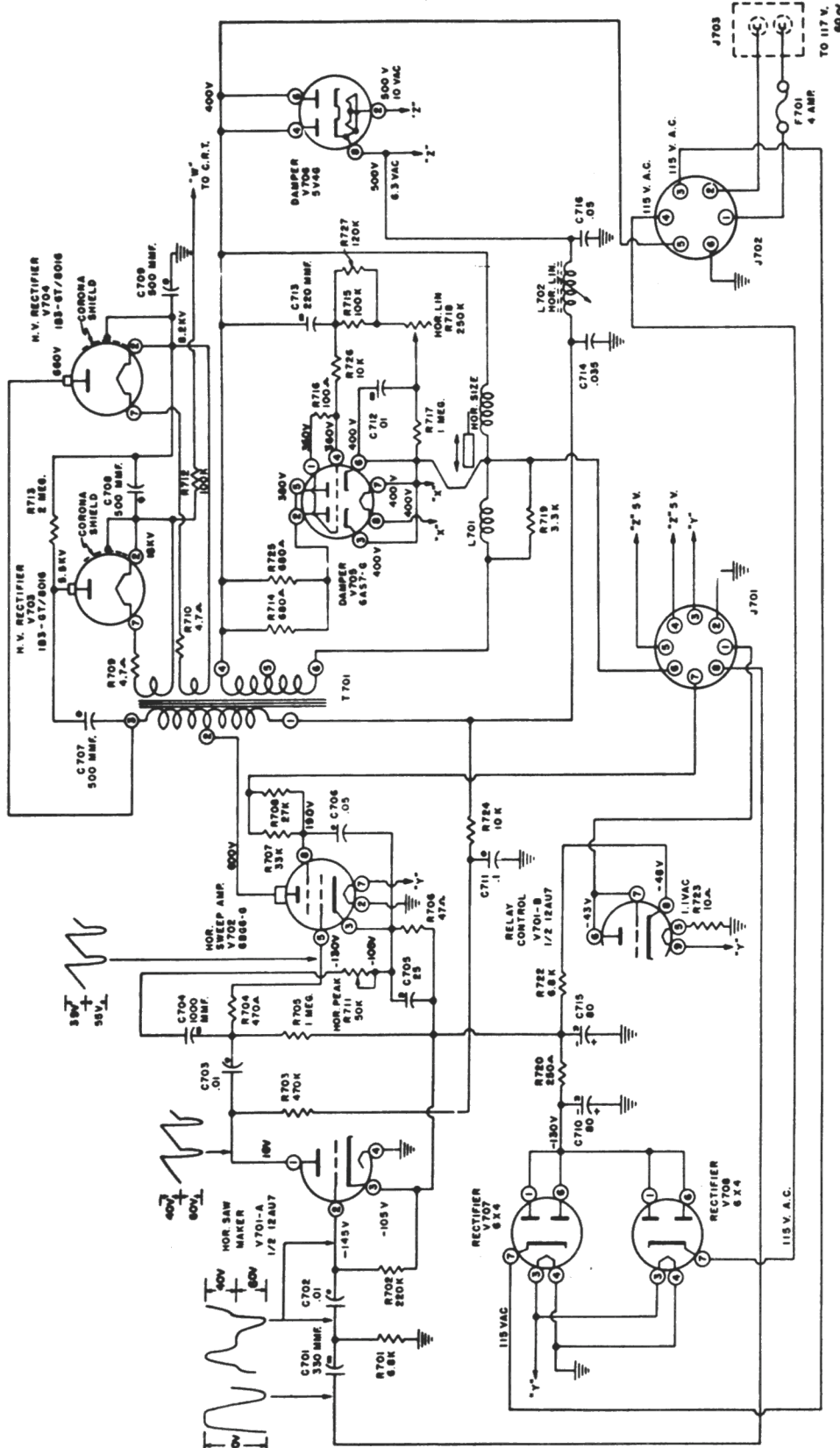
Notes: Both voltage and resistance measurements taken with an RCA model 195A Voltkohmyst



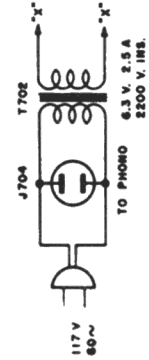
Model Club 20

MODEL RA-106,  
Club 20

ALLEN B. DUMONT LABORATORIES, INC.



The Du Mont Teleset Model RA-106 is very similar to the RA-105. The service data for the RA-105 may be used when servicing the RA-106. The essential differences between the two models is the use of a 20 inch Cathode-ray tube in the RA-106 as compared to a 15 inch Cathode-ray tube used in the RA-105. Due to the differences in the tube size, it was necessary to use a different high voltage power supply and sweep circuit for the RA-106.



MODEL RA-106 TELESSET \*  
FLYBACK POWER SUPPLY CHASSIS

- NOTES:
1. ALL CAPACITOR VALUES ARE MICROFARAD UNLESS OTHERWISE SPECIFIED
  2. ALL VOLTAGE MEASUREMENTS TO GROUND
- CAPACITOR LEGEND:-
- A = ZERO TEMP. COEFF.
  - B = CERAMIC
  - C = MICA
  - D = PAPER
  - E = ELECTROLYTIC
3. DATE OF ISSUE NOV. 2, 1948