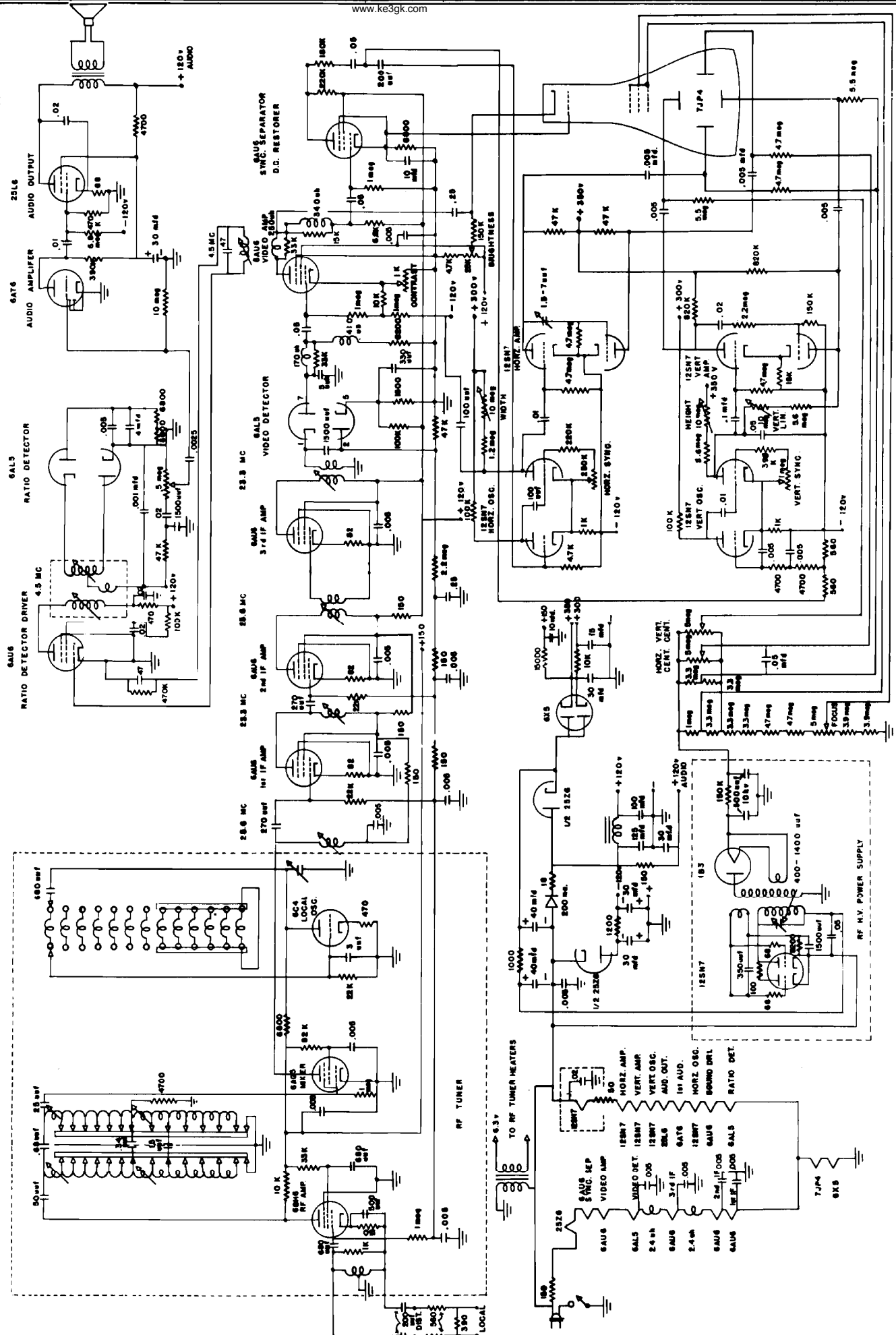


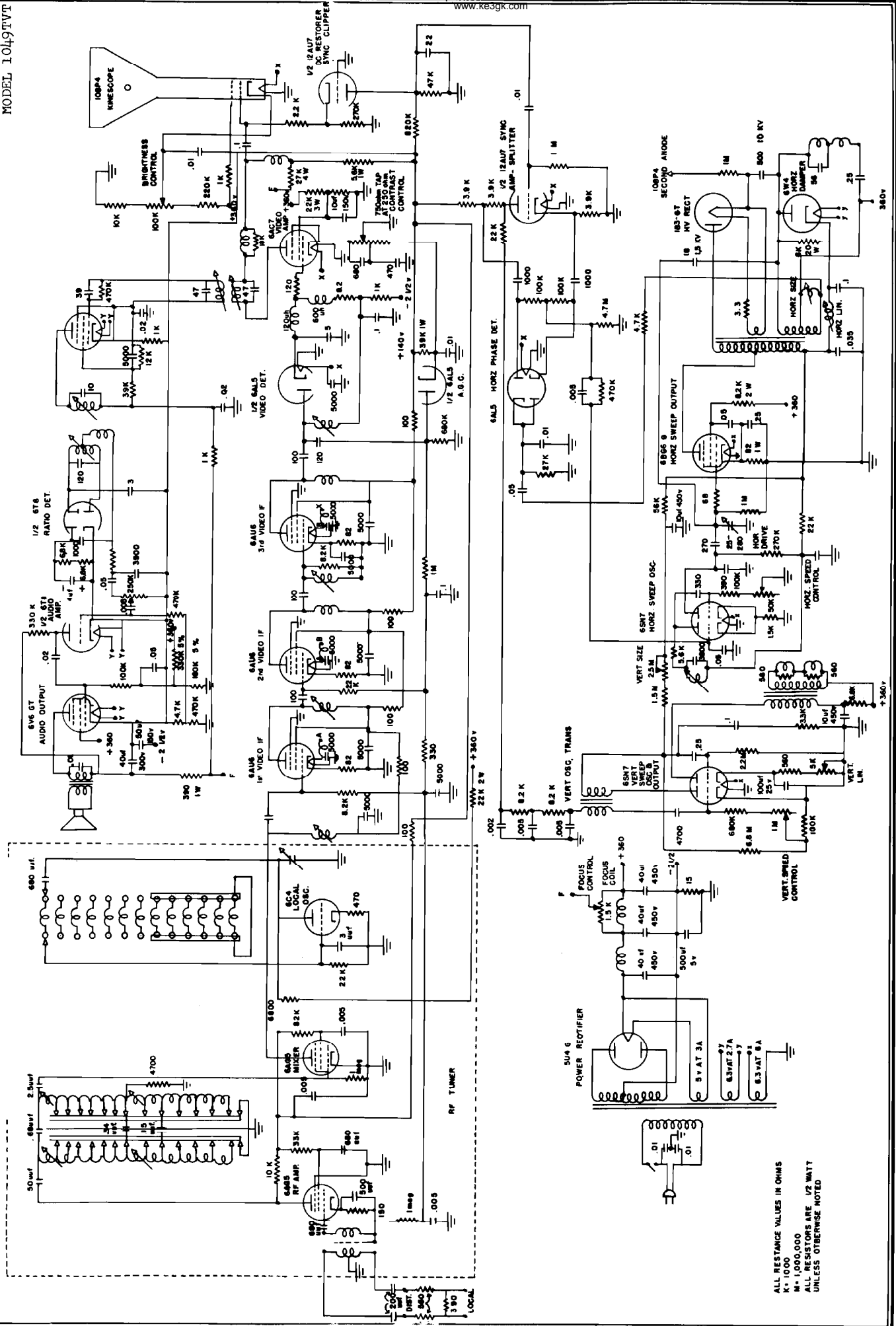
MODELS 749TV, 749PTV

www.ke3gk.com



MODEL 1049TVT

www.ke3gk.com



ALL RESISTANCE VALUES IN OHMS
K = 100,000
M = 1,000,000
ALL RESISTORS ARE 1/2 WATT
UNLESS OTHERWISE NOTED

©John F. Rider