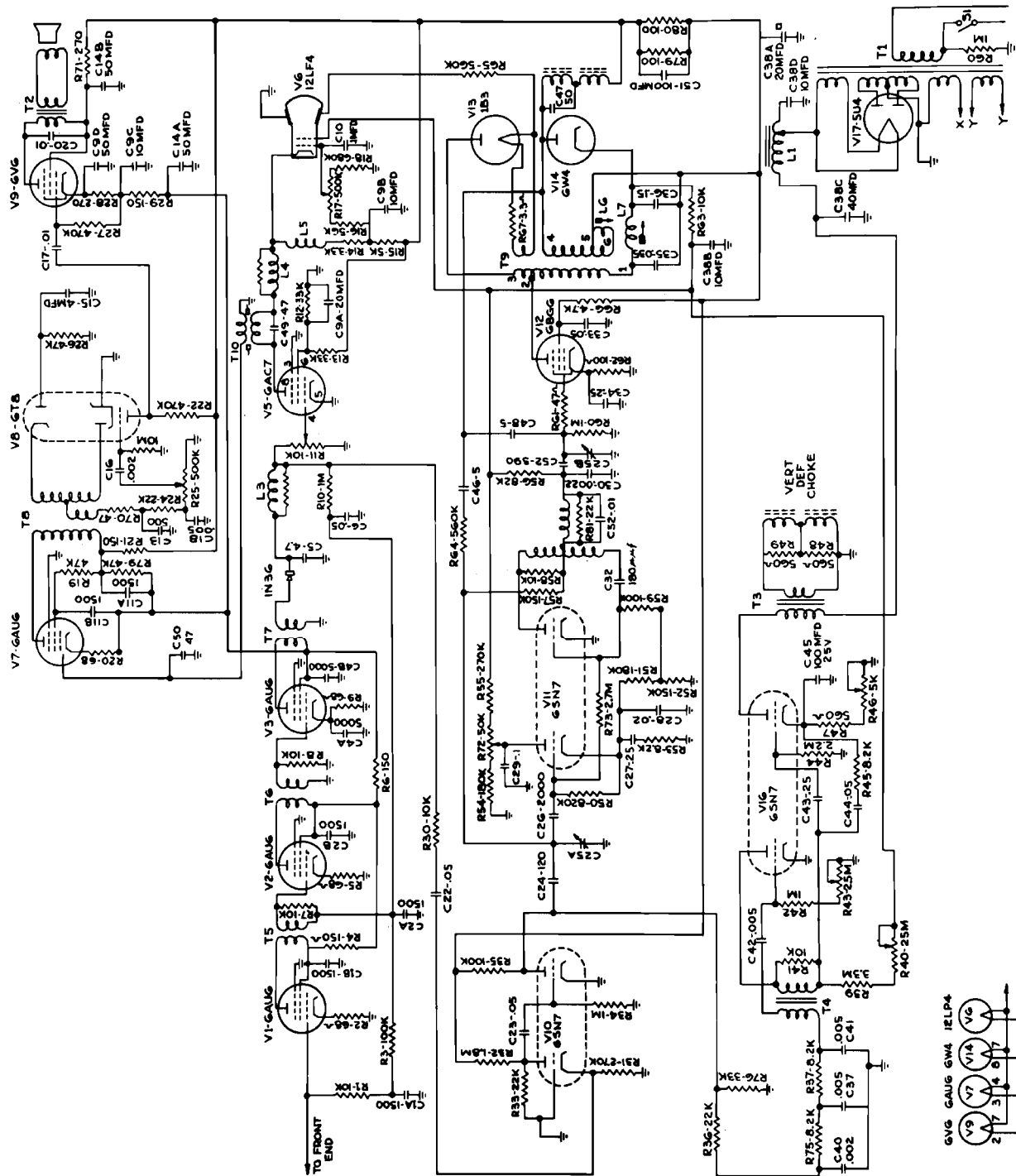
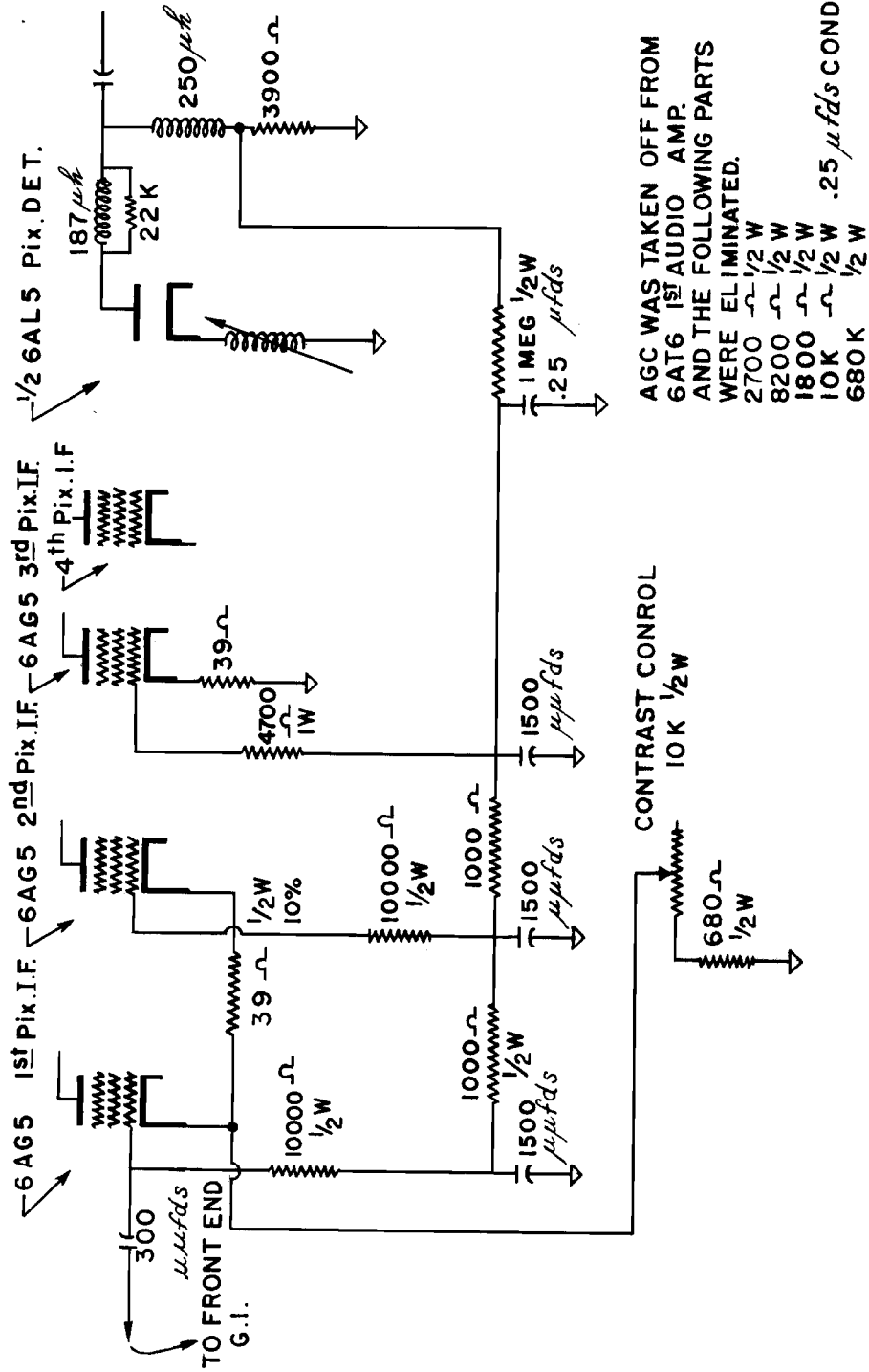


MODEL Magic Lantern



MODEL 4830-12

AGC CIRCUIT OF SEMCO TELEVISION RECEIVER



AGC WAS TAKEN OFF FROM  
 GAT6 1st AUDIO AMP.  
 AND THE FOLLOWING PARTS  
 WERE ELIMINATED.  
 2700 Ω 1/2 W  
 8200 Ω 1/2 W  
 1800 Ω 1/2 W  
 10K Ω 1/2 W .25 μfd's COND.  
 680K

CONTRAST CONTROL  
 10K 1/2 W

NOTE: Except for AGC circuit, this model is the same as the RCA Model 630TS. See TVI page 1-76 to 1-116.

© John F. Rider