

# CIRCUIT DESCRIPTION

## NO. 10 TELEKIT



TEN INCH TELEKIT NOW \$124.50 (Less Tubes)

Never before has such a fine ten inch television receiver kit been offered for such an amazing low cost. The number 10 Telekit is designed by Television Training Institute of Philadelphia, one of America's foremost television training schools, where hundreds of Telekits already have been assembled successfully by students. Thorough, easy-to-follow, step-by-step instruction books are furnished with each Telekit set, and it's guaranteed to work. (See page four)

**DISTRIBUTED BY**

**WINTERADIO**

1408 W. 25th St. Main 6562-64  
CLEVELAND, OHIO

The #10 TELEKIT uses a sensitive super-hetrodyne television receiver circuit with provisions for tuning any five (5) of the lower seven television channels.

The oscillator is a 6J6 miniature tube designed for stable high frequency operation. A 6AC7 is employed as a mixer to secure maximum conversion conductance.

Video and sound IF's are broad band, impedance coupled circuits adaptable to staggered tuning using high frequency 6AG5 miniature tubes. A two stage video amplifier using 6SN7's secures maximum gain and is compensated to provide 4.5 megacycle flat video response. Half of the final 6SN7 is used as a d.c. restorer circuit to insure proper background brightness.

The sound detector is a true F.M. discriminator using a 7X7/XXFM tube. A two stage audio amplifier follows this detector. The output is a 6V6 beam power tube to provide maximum undistorted gain.

Maximum synchronization stability is obtained (even at low signal strength) by employing a 6SN7 as a combination sync-clipper and amplifier. Vertical sweep uses a blocking oscillator and amplifier (6SN7) which is relatively insensitive to low frequency noise pulsations. The horizontal oscillator and discharge tube (6SN7) also employs the blocking oscillator principle.

A 6BG6 beam deflection tube is used to produce the necessary amplitude for the horizontal saw tooth currents in the deflection coils.

The high voltage supply for the 10EP4 kinescope 2nd anode is developed by rectifying the a.c. voltage developed by the energy stored in the horizontal output deflection coils during the horizontal scanning period. An 80L6 tube is used as a rectifier in this circuit. Oscillations in the horizontal output transformer are prevented by using a 5V4G as a horizontal damper. The kinescope uses magnetic deflection and focusing. An ion trap is provided to prevent burning of the screen.

Two complete low power voltage supplies using 5U4G's are utilized to prevent interaction between the sweep circuits and the balance of the receiver circuits.

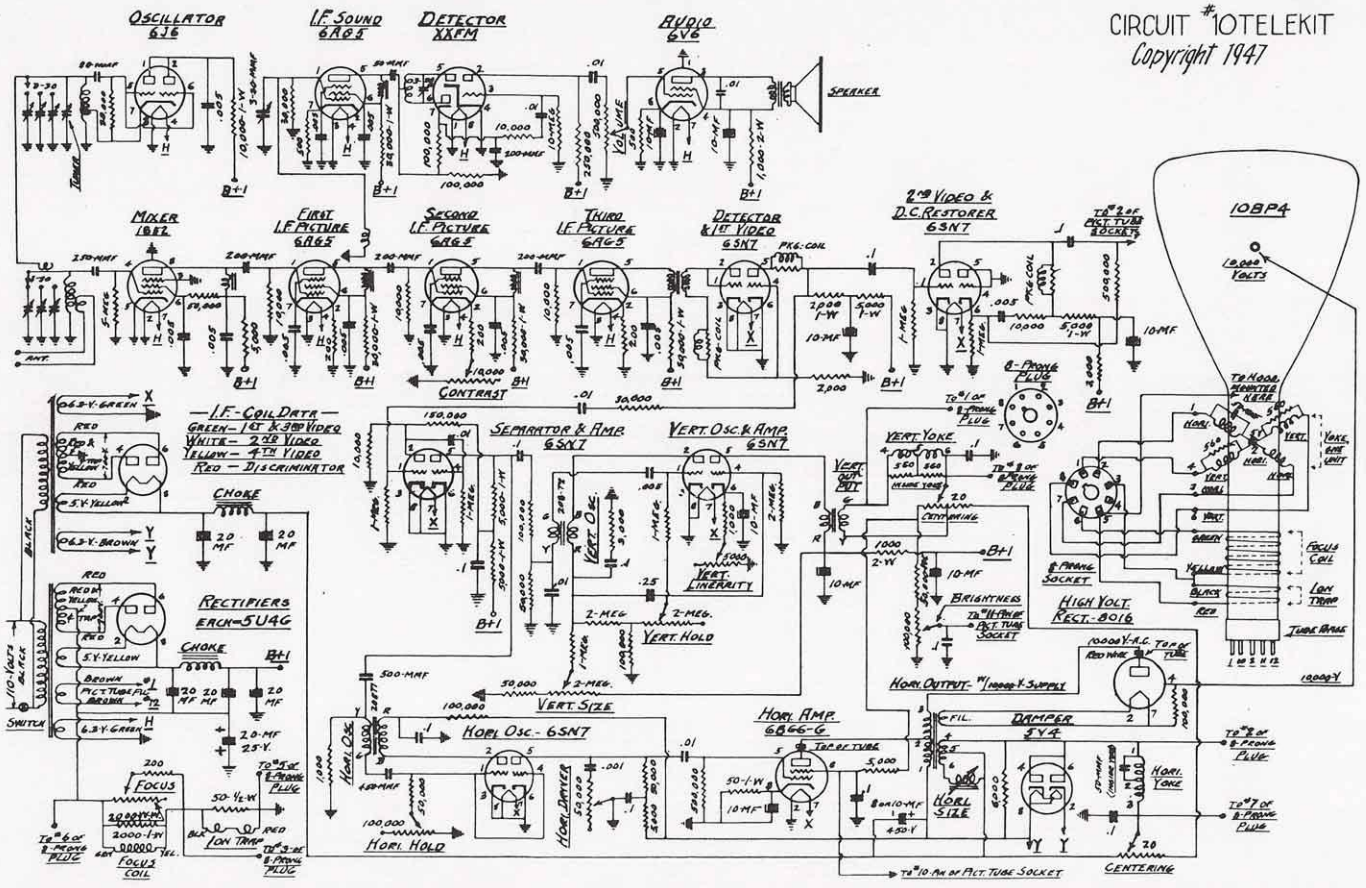
From a construction standpoint, the #10 TELEKIT is extremely simple both mechanically and electrically. The instruction manual packed with each TELEKIT is so thoroughly written that even a person with a very limited knowledge of radio will experience little difficulty in assembling, aligning, and operating the completed television receiver.

Many of the leading television schools in the country are using TELEKITS for training their students.

The best way to learn the fundamentals of television is to build a television receiver. The best receiver to build is a TELEKIT.



CIRCUIT #10 TELEKIT  
Copyright 1947



# TELEKIT

## TELEKIT SERVICE PLAN

When you purchase a Number 10 Telekit or a Number 7 Telekit, you will find inside the carton a small self-addressed card. Fill your name and address in the spaces indicated and drop the card in the mail.

In return, within a few days, you will receive a card listing the name and address of your nearest Authorized Telekit Service Station. Their services are available to you in the event you may need assistance in assembling or aligning your Telekit.

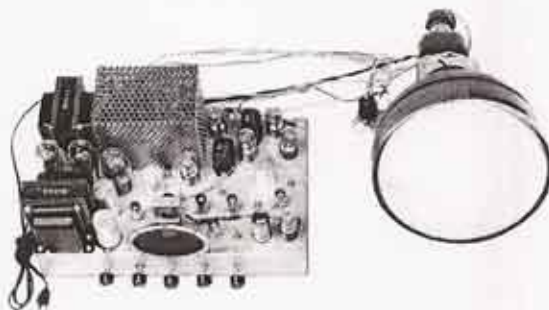
## THE TELEKIT GUARANTEE

Your Telekit is guaranteed. Only the best, known brand components are used. Any defective component will be replaced within 90 days from date of purchase. If the detailed assembly and alignment instructions packed with each Telekit are followed, you will have a television receiver of excellent video and sound quality.

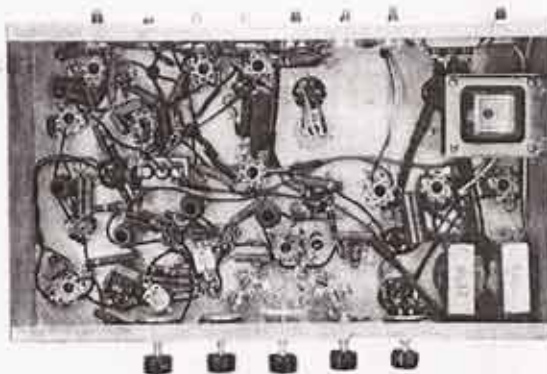
A complete statement of the Telekit guarantee is contained with each kit.

**TELEKIT**

**TELEKIT** is a product of  
**ELECTRO-TECHNICAL INDUSTRIES**  
121 NORTH BROAD STREET · PHILADELPHIA 7, PA.



Chassis view Number 10 Telekit. Note the clean detail of the tube line-up and the simplicity of design in this television receiver



Bottom view chassis of Number 10 Telekit. Note the absence of multiple wiring and freedom of tight working spots in this design.



# 10 INCH TELEVISION

now **124** 50 LESS TUBES

WINTERADIO

408 W. 25th St., Main 2389-84

CLEVELAND, OHIO

BUILD YOUR OWN TELEVISION SET

## TEN INCH TELEKIT \$124.50

Never before has such a fine ten inch television receiver kit been offered for such an amazing low cost. The number 10 Telekit is designed by Television Training Institute—one of America's foremost television training schools. Thorough, easy-to-follow, step by step instruction books are furnished with each Telekit, and it's GUARANTEED to work.

Here is a television set that has a brilliant picture—even under fluorescent lighting—that is far superior to commercial receivers—and at only half the price! You will be thrilled with the performance of your number 10 Telekit.

If you want the advantages of a larger picture and Electro-Magnetic scanning and focusing, this set is for you. The number 10 Telekit is the first to use the new ITI interlock circuit for horizontal and vertical sync control—holds the picture steady even at low signal strength and at noisy locations. There is a big 10,000 volt R.F. power supply for the ten inch picture tube and two separate low power voltage supplies for the inter-action between circuits. The sound reception is high quality F.M.—without distortion so that you will have no trouble aligning this line set. Switching arrangements for five bands are included.

The price is \$124.50 for the number 10 Telekit.  
 Tubes required: 1—6J6, 1—7X7/XXFM, 1—6V6, 1—6AC7/1852, 5—6SN7, 1—6BG6/807, 4—6AG5, 1—5V4G, 1—183GT, 8016, 2—5U4G, 1—10BP4 (ten inch picture tube). We have assembled these tubes for you in tube kit number 10.

## SEVEN INCH TELEKIT \$77.50 (Less Tubes)

The seven inch Telekit is an easy-to-assemble television receiver kit that is GUARANTEED to receive sound and video of superior quality. Complete instruction books are furnished with each kit that show every step of the way. Photographs and diagrams are included so that you cannot make a mistake. The number 7 Telekit was engineered by Television Training Institute. Thousands of these sets have already been assembled here and in other leading television schools throughout the country.

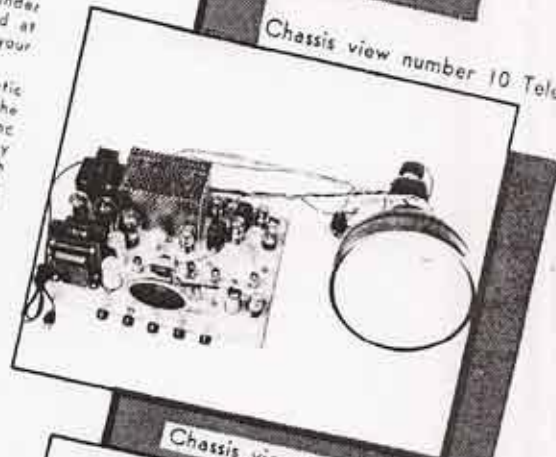
Number 7 Telekit uses the simplest, most modern advanced television circuits and has pre-tuned I.F. coils so that it is easy to align. The sound reception is high quality F.M. for complete listening pleasure. Switching arrangements are for three bands.

Number 7 kit is the perfect set for the television beginner, and it brings you better picture reception than commercial receivers of its size—and at less than one-half the price.

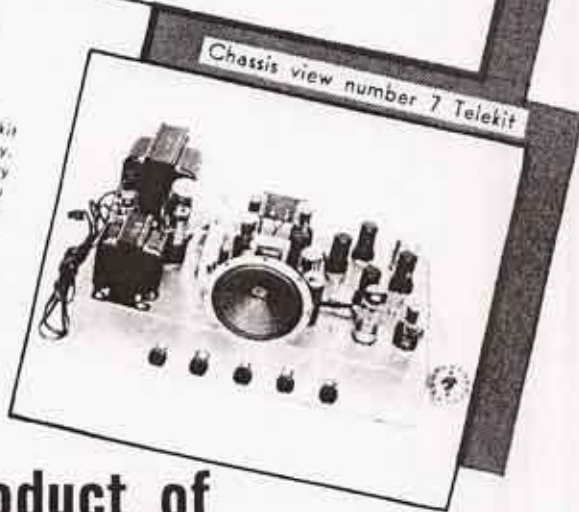
Tubes required: 1—6J6, 1—5U4G, 1—2X2/879, 1—6V6, 1—7X7/XXFM, 6—6SN7, 5—6AC7/1852 and one 7GP4 (seven inch picture tube).  
 Number 7 tube kit, complete, \$42.50. Cabinet for number 7 Telekit \$24.50.



Completed Number 10 Telekit



Chassis view number 10 Telekit



Chassis view number 7 Telekit

**TELEKIT** is a product of  
**ELECTRO-TECHNICAL INDUSTRIES,**  
 121 NORTH BROAD STREET PHILADELPHIA 7, PA.