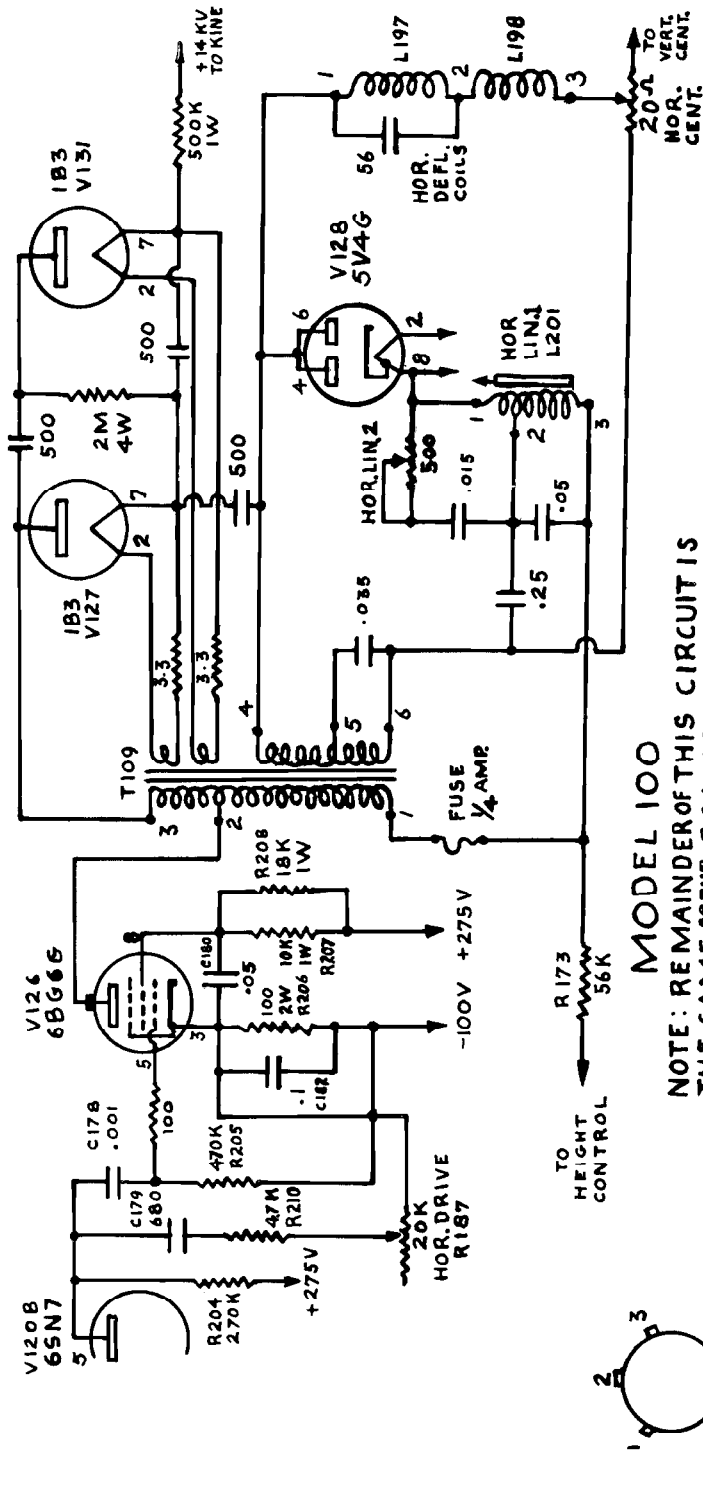


MODELS 100, 100A



MODEL 100
NOTE: REMAINDER OF THIS CIRCUIT IS
THE SAME AS THE RCA 630TS
REFER TO PAGES I-76 THROUGH I-116

MODEL 100A

VIDAIRE FM-AM TUNER ALIGNMENT INSTRUCTIONS
 NOTE: REFER TO TV CHASSIS AND TUNER SCHEMATICS

FM ALIGNMENT

1. Switch band switch to FM position. Pilots should light up.
2. Adjust trimmers on top variable-one trimmer for 3/4 maximum capacity R.F. trimmer for 1/2 capacity.
3. Connect antenna to antenna terminal strip and stations should be heard.
4. Set tuner dial at 108 MC. Remove antenna.
5. Place voltmeter probe at junction of R219 and R220 through hole in shield.
6. Set signal generator at 21.25 MC.
7. Place generator probe near mixer grid.
8. Adjust I.F. transformer in tuner, bottom then top for maximum output.
9. Set generator at 108 MC.
10. Feed generator signal into antenna terminal through dummy lead.
11. Adjust F.M. oscillator trimmer for maximum output.
12. Set generator at 88 MC.
13. Set dial at 38 MC.
14. Adjust F.M. oscillator coil for maximum output.
15. Set dial at 108 MC.
16. Set generator at 108 MC.
17. Readjust F.M. oscillator trimmer for maximum output.
18. Set dial at approximately 102 MC.

AM ALIGNMENT -- SET BAND SWITCH IN AM POSITION

19. Set generator at 102 MC.
 20. Adjust F.M. R.F. trimmer for maximum output while rocking variable condenser.
 21. Remove generator and voltmeter from receiver.
 22. Connect antenna and tune in a few well known stations.
1. Connect voltmeter or A.V.C. bus.
 2. Set generator at 455 KC.
 3. Feed 455 KC into grid of 6BE6.
 4. Adjust 2nd AM IF and then 1st AM IF for maximum output.
 5. Set generator at 1400 KC.
 6. Place generator lead in vicinity of loop antenna.
 7. Turn dial to 1400 KC.
 8. Adjust A.M. oscillator trimmer for maximum output.
 9. Set generator and dial at 600 KC.
 10. Adjust A.M. oscillator coil and variable condenser plates for maximum output.
 11. Set generator and dial at 1400 KC.
 12. Adjust A.M.-R.F. trimmer for maximum output.
 13. Set the band switch in phono position and check for loud hum when touching the phono jack.

